

**Part Number:**

**PU100-3415S-01, PK3B1-34H5H (Short)**  
**PU100-3415R-01, PK3B1-34H6H (Reg.)**  
**PU100-3415L-01, PK3B1-34H8H (Long)**

**Kit Contents**

Item #	Quantity Req'd.	Description
1	1	Tonneau Cover
2	2	Side Rails (1 left, 1 right)
	2	Drain Tubes
4	1	Hardware Bag

**Hardware Bag Contents**

Item #	Quantity Req'd.	Description
1	1	User Manual
2	1	Clamp Bracket (10pc Short Bed, 12pc Regular Bed, 16pc Long Bed)
3	1	T30 Torx, M6 x 1.0 x 30mm Mounting Hardware (10pc Short Bed, 12pc Regular Bed, 16pc Long Bed)
4	1	Foam Seal Roll
5	1	Hex Key

**Additional Items Required For Installation**

Item #	Quantity Req'd.	Description
1	1	Bed Rails (if the vehicle is not already equipped)
2		
3		

**Conflicts**

Bed Divider (PT767 34070) & Bed Liners that are not compatible with Toyota accessory rails  
GoPro® mount

**General Applicability**

All Tundra models with accessory bed rails

**Recommended Sequence of Application**

Item #	Accessory
1	Bed Liner
2	Tonneau Cover
3	Accessory Rails

\*Mandatory


**Vehicle Service Parts** (may be required for reassembly)


Item #	Quantity Req'd.	Description
1		
2		


**Recommended Tools**


<b>Personal &amp; Vehicle Protection</b>	<b>Notes</b>
Safety Glasses	
Wrist & Belt Buckle Protection	
<b>Special Tools</b>	<b>Notes</b>
Drill Fixture	TUN17-0009
<b>Installation Tools</b>	<b>Notes</b>
Torx Socket	T-30 (Hardened), 3/8" Drive
Torque Wrench	200 N-m, 150 in-lbf, 3/8" Drive
Ratchet	3/8" Drive
Ratchet Extension	Short, 3/8" Drive
Drill	
Drill Bit	3/4" dia.
Tape Measure	
Scissors	
Screwdriver	Phillips #2
Plastic Mallet	
Towels/Rags	Lint-Free & Non-Scratch
<b>Special Chemicals</b>	<b>Notes</b>
Cleaner	VDC approved


**Legend**


 **STOP:** Damage to the vehicle may occur. Do not proceed until process has been complied with.

 **OPERATOR SAFETY:** Use caution to avoid risk of injury.

 **CAUTION:** A process that must be carefully observed in order to reduce the risk of damage to the accessory/vehicle and to ensure a quality installation.

 **TOOLS & EQUIPMENT:** Used in Figures calls out the specific tools and equipment recommended for this process.

 **REVISION MARK:** This mark highlights a change in installation with respect to previous issue.

 **SAFETY TORQUE:** This mark indicates that torque is related to safety.

Procedure

Care must be taken when installing this accessory to ensure damage does not occur to the vehicle. The installation of this accessory should follow approved guidelines to ensure a quality installation.

These guidelines can be found in the "Accessory Installation Practices" document.

This document covers such items as:-

- Vehicle Protection (use of covers and blankets, cleaning chemicals, etc.).
- Safety (eye protection, rechecking torque procedure, etc.).
- Vehicle Disassembly/Reassembly (panel removal, part storage, etc.).
- Electrical Component Disassembly/Reassembly (battery disconnection, connector removal, etc.).

Please see your Toyota dealer for a copy of this document.

**1. Prepare for the Installation.**

(a) Before working on the vehicle, protect the truck bed with covers.

**STOP** (b) Remove the Tonneau Cover, Side Rails, Drain Tubes and Hardware Bag from the packaging. Identify the parts and check the contents for any damage (Fig. 1-1).

(c) Remove the attached user manual from the tonneau cover panel and place it in the glove box.

(d) If the vehicle has factory bed rails, remove them now (Fig. 1-2). Otherwise skip to Step 2.

(1) Use a T-30 Torx driver to remove the bed rail mounting bolts.

(2) Keep these bolts in a safe place, as they will be reused to mount the rails to the tonneau clamp brackets.

(3) Pull the rail away from the bed sides to remove it.

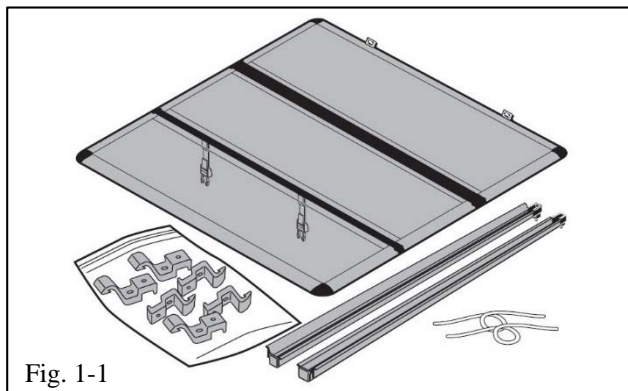


Fig. 1-1

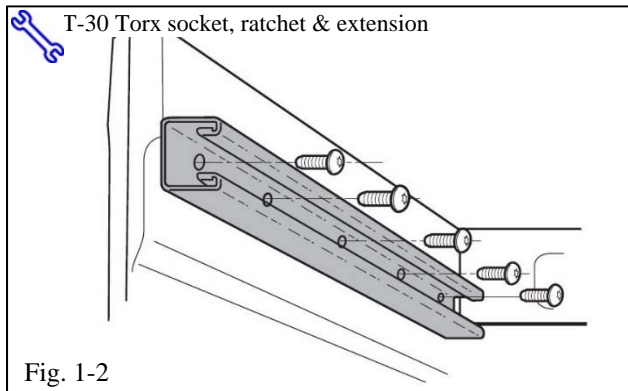
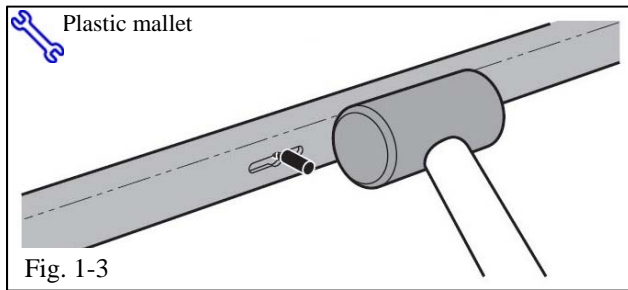


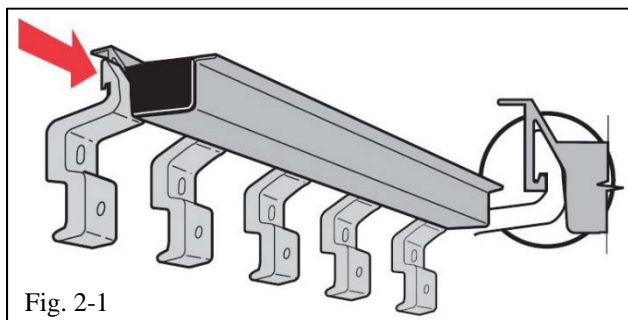
Fig. 1-2



- (4) From the back side of the accessory rail, use a plastic mallet to lightly tap the locator peg towards the larger opening in the “keyhole” in the rail (Fig. 1-3). Remove and discard the peg.

**⚠ NOTE:** Remove two locator pegs per rail.

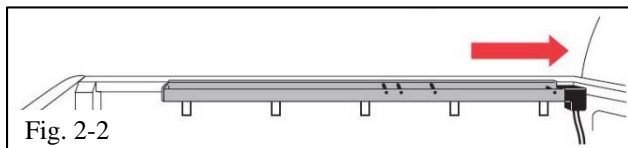
## 2. Install the Tonneau Cover Side Rails onto the Truck Bed.



- (a) Slide the clamps into the side rail grooves (Fig. 2-1).

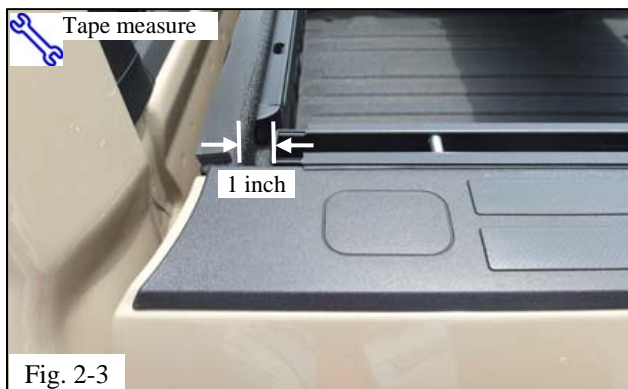
(1) Spread the clamps evenly along the length of the rails.

(2) The exact location will be determined when installing the rails onto the truck bed.

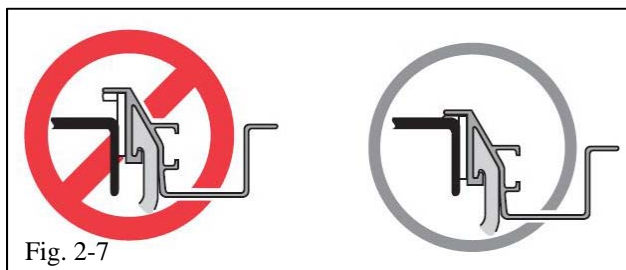
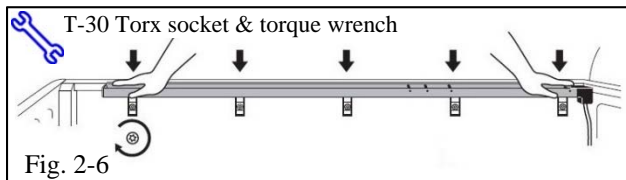
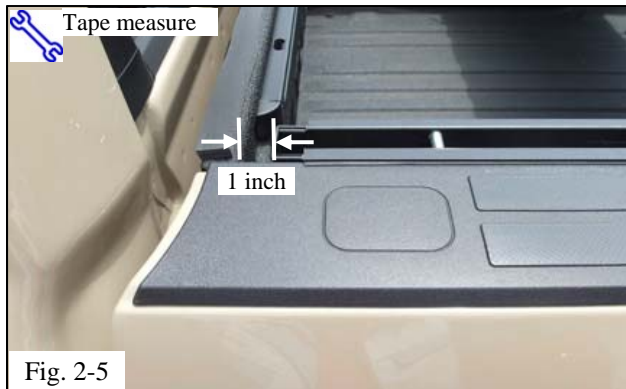
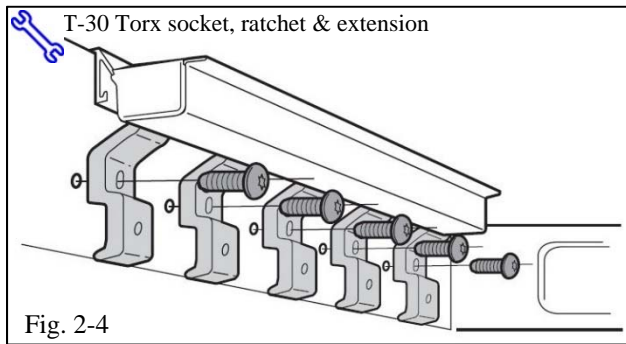


- (b) Place the tonneau side rail on the truck bed (Fig. 2-2).

**⚠ NOTE:** Place the side rails on the truck bed so that the endcap containing the drain is toward the front of the bed.



- (c) Position the tonneau side rails on the truck bed 1” (25.4mm) back from the bed edge (Fig. 2-3).



(d) Align the slots in the clamp brackets with the threaded holes in truck bed sides and install the supplied mounting bolts (Fig. 2-4). Do not fully tighten them at this time.

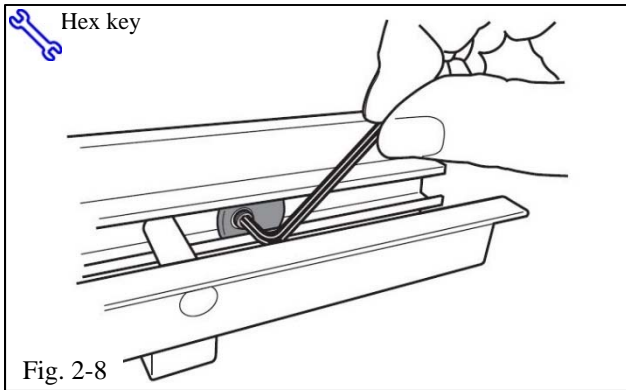
**NOTE:** To ensure proper alignment of the driver and passenger side pins, make sure that both side rails are placed exactly the same (Fig. 2-5).

(e) Tighten and torque the mounting bolts to 7.5 N-m (66.5 in-lbf), being sure to hold the rail in place and PUSH the side rail DOWN against the bed caps as the clamp is tightened (Fig. 2-6).

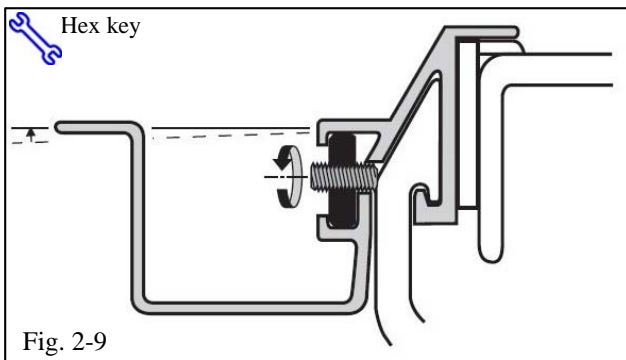
**S Torque: 7.5 N-m (66.5 in-lbf)**

**NOTE:** The top of the rail must contact the truck bed side wall to ensure a good seal (Fig. 2-7).

**CAUTION:** If the vehicle is equipped with a Toyota bed liner, ensure that the liner is not sandwiched between the clamps and the truck bed.



(f) Align the slide-nut at the front of the side rail so that the set screw aligns with the hole in the rail (Fig. 2-8).



(g) Slowly tighten the set screw with the provided hex key against the clamp bracket until the side rail is visually level (Fig. 2-9).

**⚠ NOTE:** Do not overtighten the set screw such that the side rail is no longer level.



(h) Install the drain tubes (2) onto the drain caps (Fig. 2-10).

**⚠ NOTE:** Make sure the tube covers all the three lines around the drain cap.

**⚠ NOTE:** If the vehicle is NOT equipped with a Toyota bed liner or is equipped with a **spray-on bed liner**, continue to Step 2(i). If the vehicle is equipped with a Toyota bed liner, skip to Step 2(n).

(i) Remove the outermost drain plugs.



Fig. 2-11

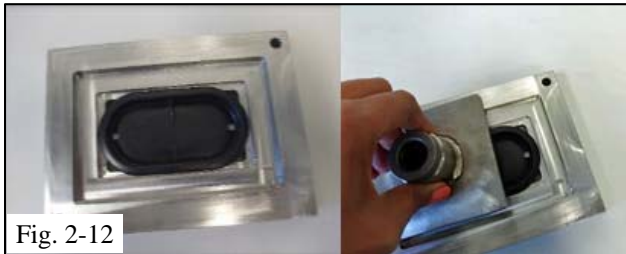


Fig. 2-12



Fig. 2-13

- (j) Place a drain plug inside the fixture (Fig. 2-11 to Fig. 2-12).

- (k) Close the fixture and drill a 3/4" hole in each drain plug (Fig. 2-13).

**⚠ NOTE:** The drain plug may be oriented in any direction inside the fixture.



Fig. 2-14

- (l) Reinstall the plugs and route the drain tubes through the drilled holes (Fig. 2-14).

**⚠ NOTE:** Position the drain hole towards the bottom of the plug/vehicle for better routing.

- (m) Skip to Step 3.

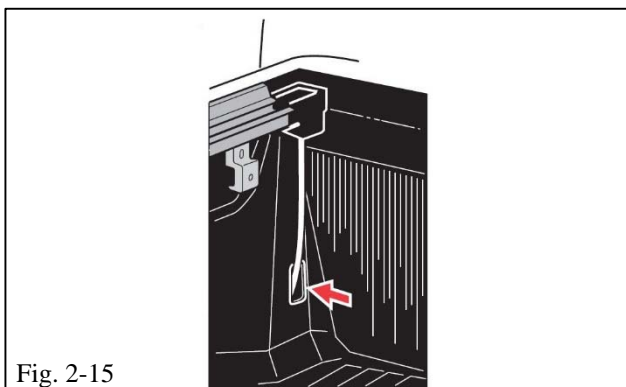
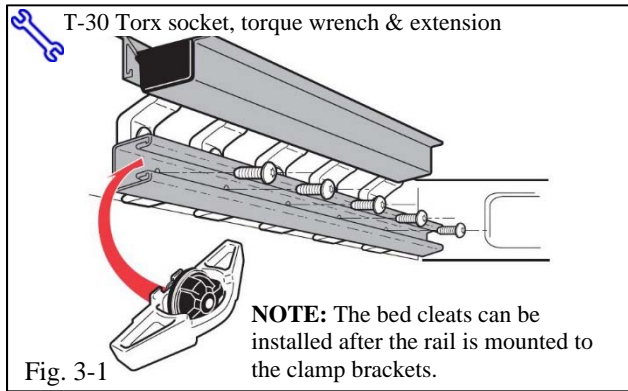


Fig. 2-15

- (n) If the vehicle has a Toyota bed liner, route the drain tube through the provided hole (Fig. 2-15).



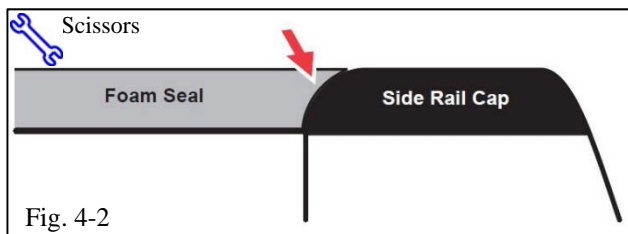
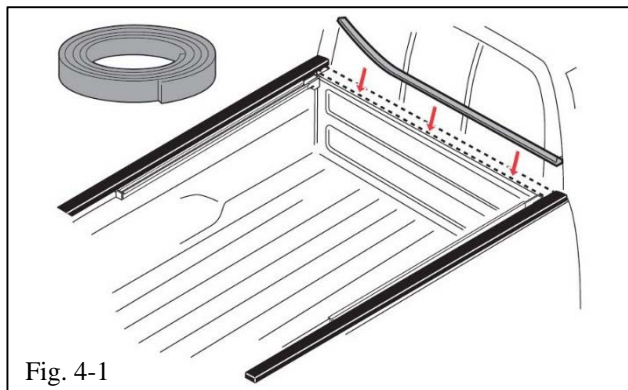
### 3. Reinstall the Factory Bed Rails onto the Clamp Brackets (if equipped).

- (a) Use the factory bed rail hardware to install the bed rails onto the bottom holes of the clamp brackets (Fig. 3-1).
- (b) Tighten and torque the mounting bolts to 7.5N-m (66.5 in-lbf), being sure to keep the side rails fully seated on the bed rails.

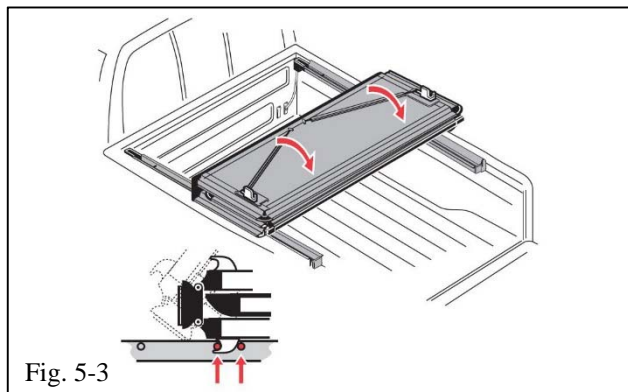
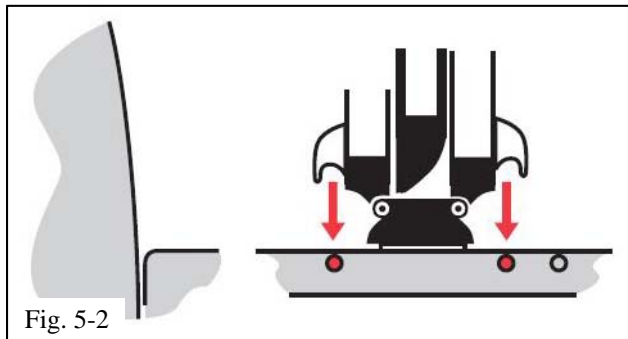
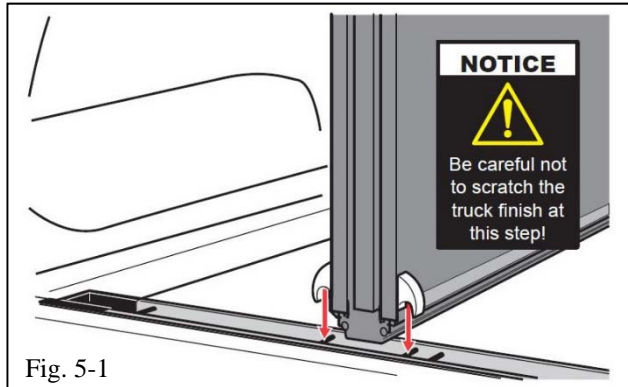
**⚠ Torque: 7.5 N-m (66.5 in-lbf)**

### 4. Install the Foam Seal.

- (a) Clean the top surface with a non-scratch cloth and VDC approved cleaner before applying the seal.
- (b) Place the included foam seal on the front lip of the truck bed (adhesive side down) below the cab rear window from the driver side bed rail cap to the passenger side bed rail cap (Fig. 4-1). Remove the plastic backing and affix the seal to the bed.



- (c) Use scissors to cut the foam seal at an angle to minimize the gap with the side rail cap (Fig. 4-2).



**5. Install the Tonneau Cover into the Side Rails.**

- (a) Unlock the latches and then lift the folded tonneau onto the side rails. (Fig. 5-1, driver side shown).

**NOTE:** Visually make sure the edge of the cover is centered between the outer and inner edges of the accessory rail on each side.

- (b) Stand the bundled panel system on the side rails so that the retaining hooks line up with the two pins inside the side rail (Fig. 5-2).

- (c) Place the center panel down first, being sure to engage the mounting hooks in-between the two rearmost retaining pins on both side rails (Fig. 5-3).



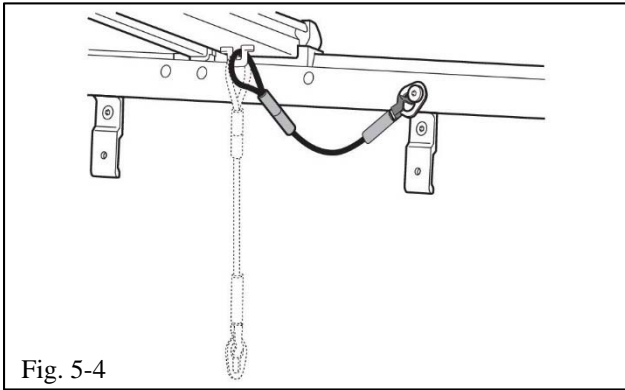


Fig. 5-4

- (d) Attach the safety cables to the underbody rails on both the driver and passenger sides (Fig. 5-4).

**⚠ NOTE:** Ensure the safety cables are securely attached by checking that the spring clip is under the pin flange (Fig. 5-5). Repeat for the other side.

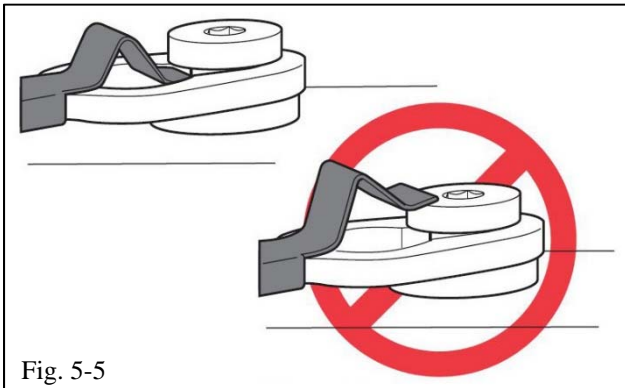


Fig. 5-5

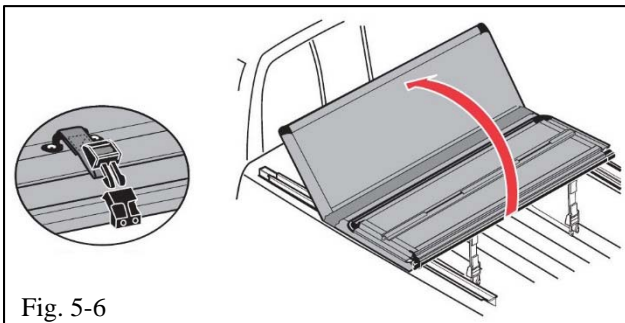


Fig. 5-6

- (e) Unclip the retention straps from the cab panel and carefully fold the panel forward (Fig. 5-6).

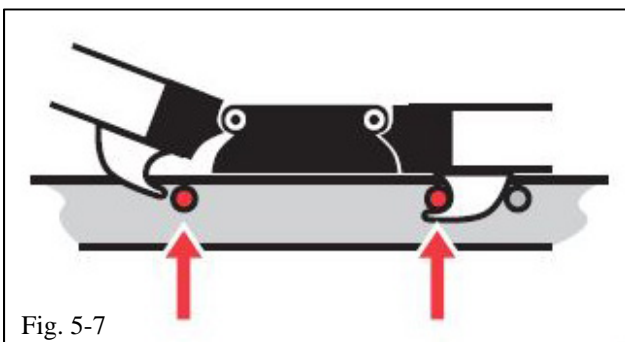
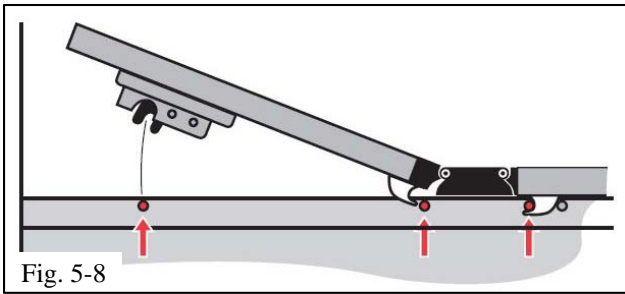


Fig. 5-7

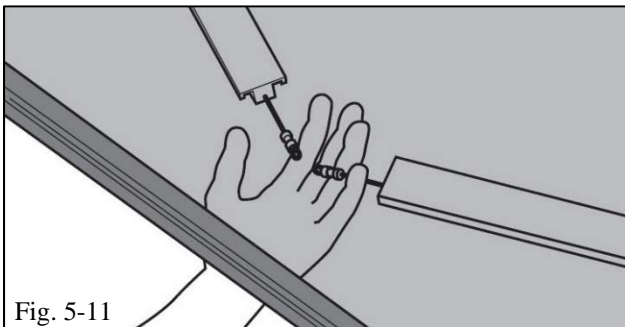
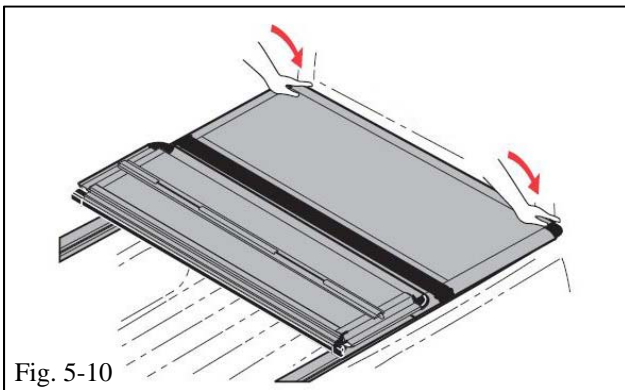
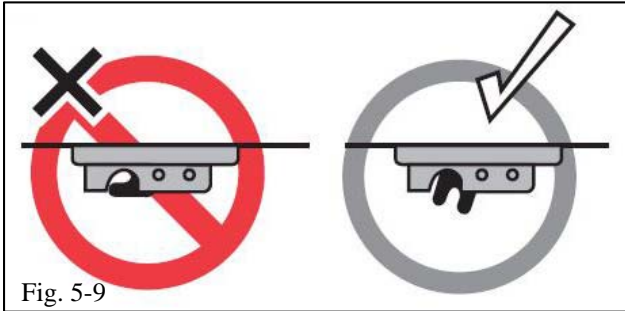
- (f) Visually confirm that the front latches are aligned with the pins in the side rails (Fig. 5-7) and gently lower the cover to ensure that nothing contacts and causes damage. Slight misalignment can be fixed by making sure the mounting hooks in the center panel are fully seated against the retaining pins in the side rails.

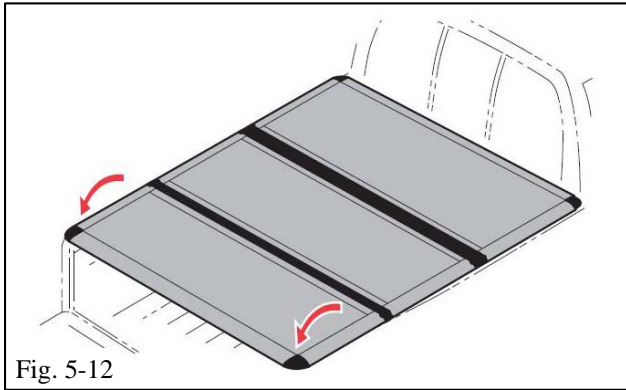


(g) Press down on the cab panel to lock it in place. Lift up on the panel to make sure the panel latched properly (Fig. 5-8 to Fig. 5-10).

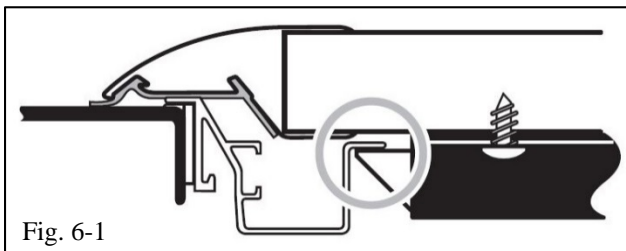
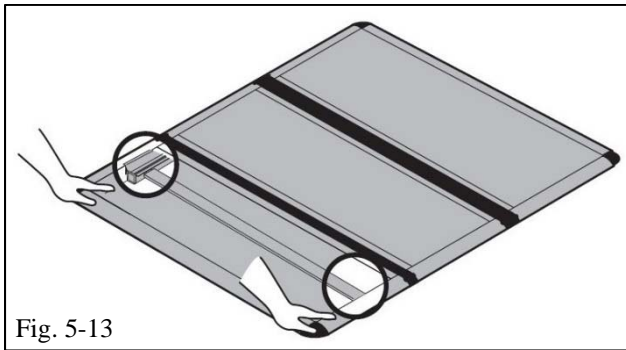


**NOTE:** If the front latches do not latch properly, open the front panel, check the alignments and try again (Fig. 5-11).





- (h) With the tailgate open, unfold the tail panel into the closed position and push it down onto the truck bed (Fig. 5-12 & Fig. 5-13).

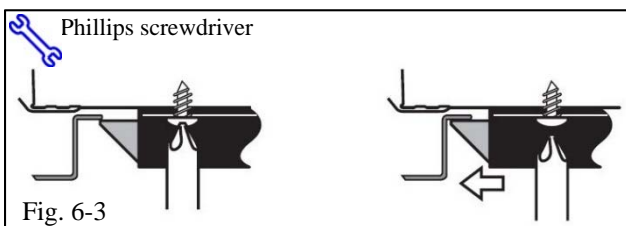


**6. Check the Tonneau Cover for Fit.**

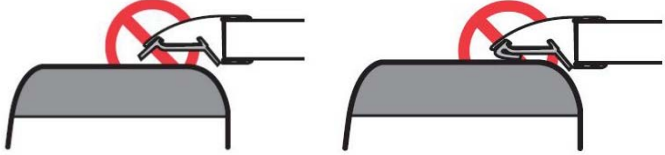

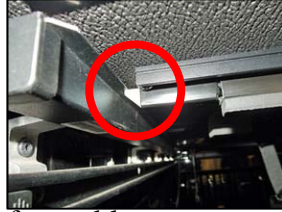
- (a) Check to see that each tail panel latch makes proper contact with the side rails (Fig. 6-1).



- (b) If the tail panel does not contact the side rails properly (Fig. 6-2), hand loosen the latch screws, slide the latch toward the side rail and retighten the screws by hand (Fig. 6-3).



**TOYOTA TUNDRA 2016 - TONNEAU COVER**  
 Checklist - these points **MUST** be checked to ensure a quality installation.

Check:	Look For:
<p><u>Accessory Function Checks</u></p> <ul style="list-style-type: none"> <li><input type="checkbox"/> Rails fully seated on bed sides</li>   <li><input type="checkbox"/> Rails installed flat (level)</li>   <li><input type="checkbox"/> Latching of both front latches</li> <li><input type="checkbox"/> Tonneau latches</li> <li><input type="checkbox"/> Correct alignment of white rear latch wedges</li> <li><input type="checkbox"/> Rear latch wedges</li>   <li><input type="checkbox"/> Safety cables connected to rail</li> <li><input type="checkbox"/> Safety cables attached to tonneau panel</li> <li><input type="checkbox"/> If the vehicle is equipped with a Toyota bed liner, ensure that the liner is not sandwiched between the clamps and the truck bed</li> </ul>	<p><u>Look For:</u></p> <p>Gap or folded lip seal to bed surfaces</p>  <p>Rail position flat (level), not pitched upward or downward</p>  <p>Proper full double latching</p> <p>Tonneau latches are fully engaged and aligned to side rail pins</p> <p>Clamp too low pulling side rail down</p> <p>Full engagement of rear latch wedges</p>  <p>Both safety cables are connected</p> <p>Both safety cables are securely attached</p> <p>Liner is not sandwiched between the clamps and the truck bed</p>
<p><u>Vehicle Function Checks</u></p> <ul style="list-style-type: none"> <li><input type="checkbox"/> Tailgate latches</li> </ul>	<p>Tailgate latches properly</p>
<p><u>Vehicle Appearance Check</u></p> <ul style="list-style-type: none"> <li><input type="checkbox"/> After accessory installation and removal of protective cover(s), perform a visual inspection.</li> </ul>	<p>Ensure no damage (including scuffs and scratches) was caused during the installation process.              (For PPO installations, refer to TMS Accessory Quality Shipping Standard.)</p>